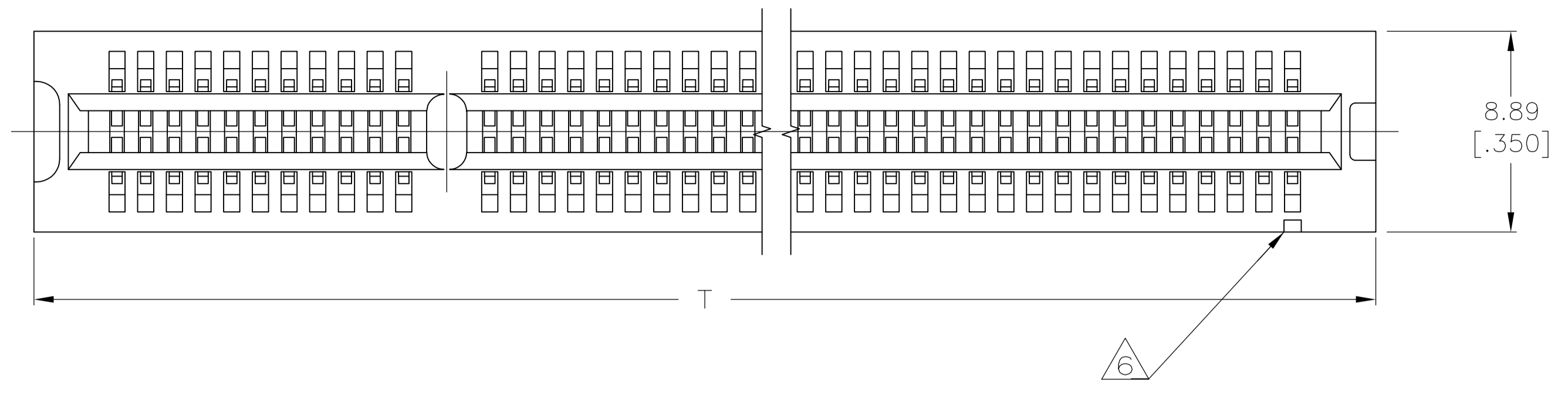
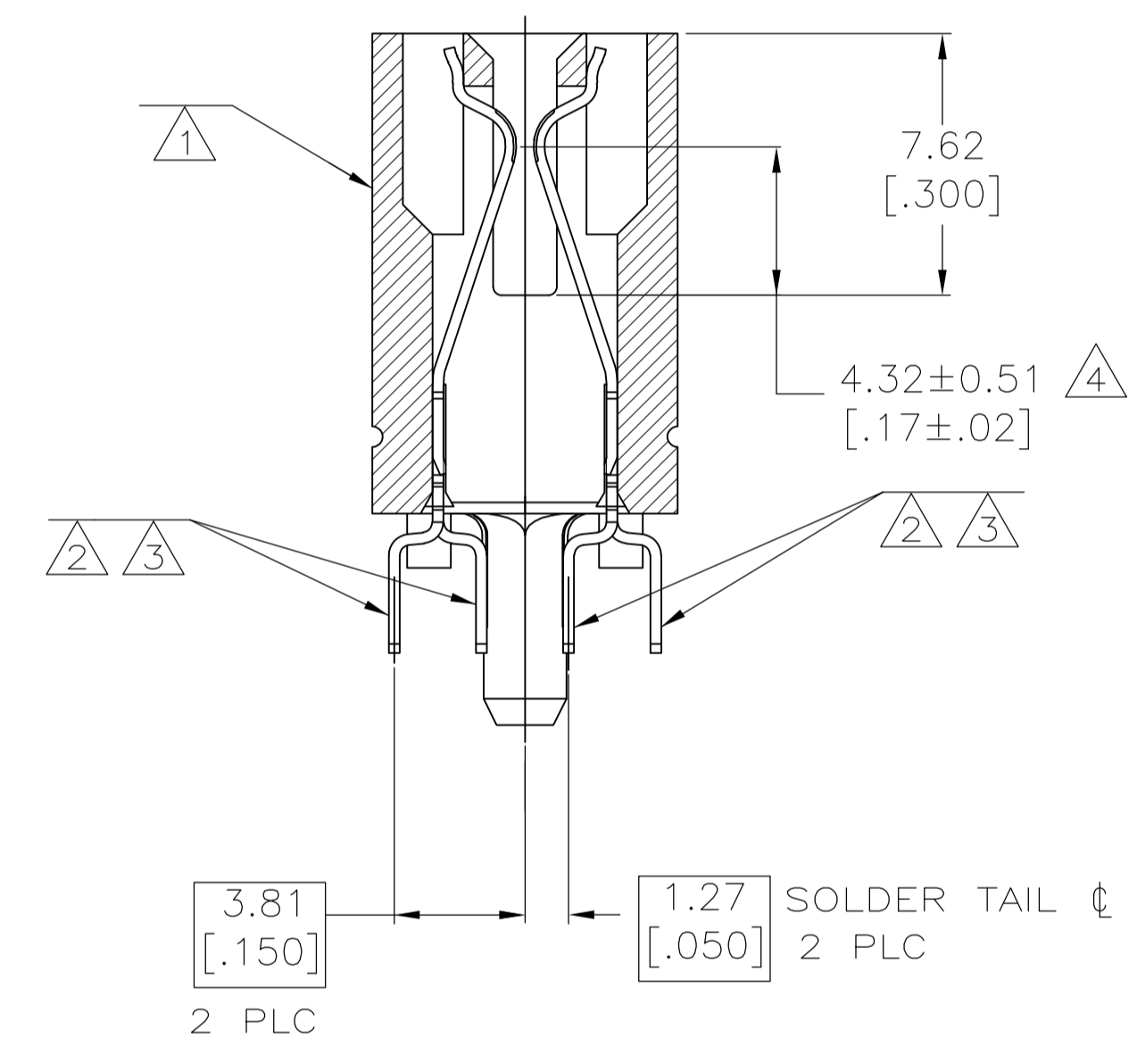
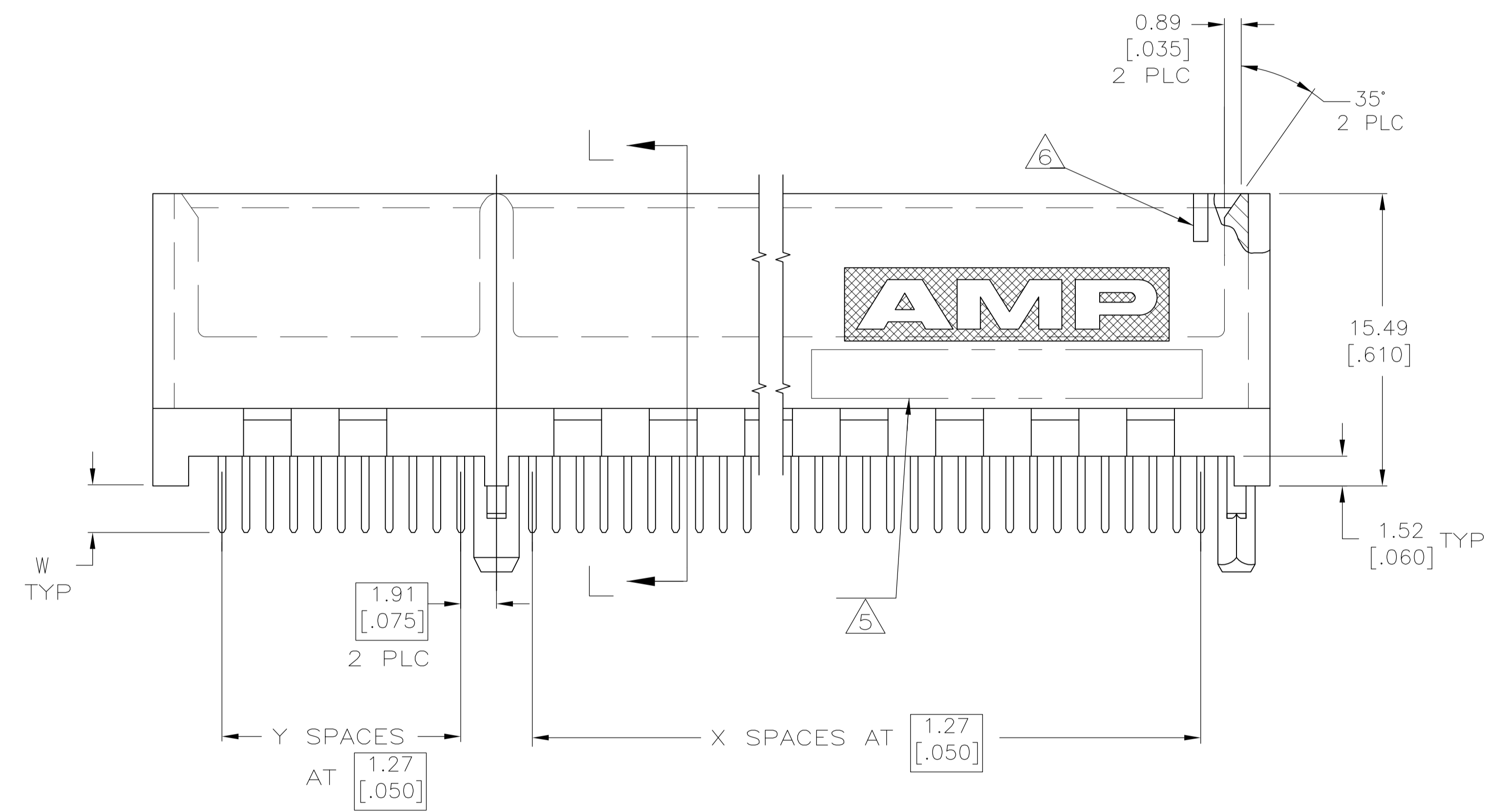


LOC		DIST		REVISIONS			
GP	00	REV	DATE	BY	CHK	APPV	
0		RELEASED PER EC 0512-0287-04	13 SEP 04	AWF	AWF		
01		REVISED PER ECO-10-000444	19JAN10	KK	HMR		

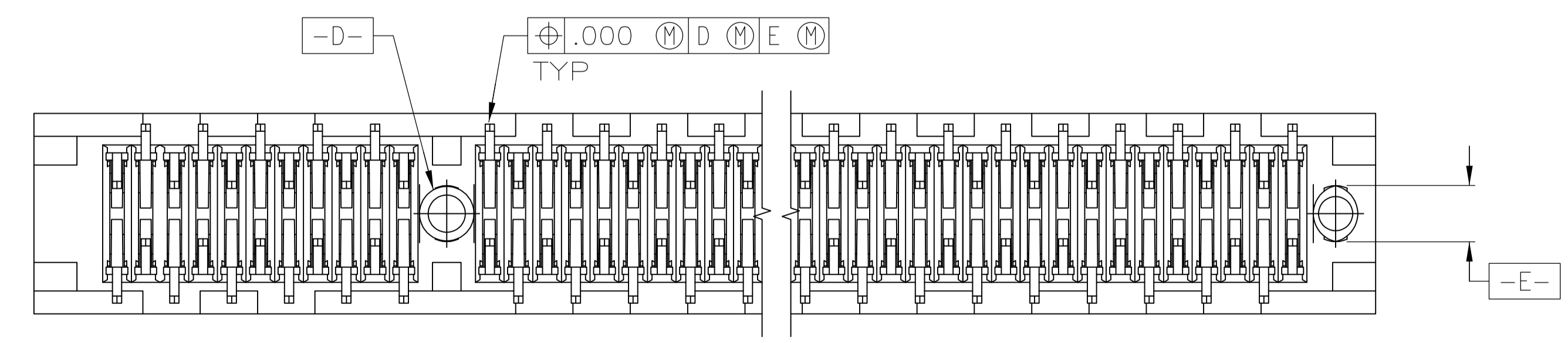


- ① HOUSING: HIGH TEMPERATURE THERMOPLASTIC. COLOR: BROWN.
- ② CONTACT: PHOSPHOR BRONZE.
- ③ CONTACT FINISH: .000100 MIN NICKEL ALL OVER. .000030 MIN GOLD OVER NICKEL IN CONTACT AREA. .000100 MIN MATTE TIN OVER NICKEL ON SOLDER TAILS.
- ④ DISTANCE FROM CONTACT POINT TO BOTTOM OF CARD SLOT.
- ⑤ AMP PART NUMBER, DATE CODE AND CSA LOGO MARKED IN APPROXIMATE AREA SHOWN.
- ⑥ PIN ONE IDENTIFIER NOTCH ONLY ON PART NUMBERS INDICATED.
- ⑦ OBSOLETE PARTS: OBSOLETE CIS STREAMLINING PER D.RENAUD/D.SINISI



SECTION L-L
SCALE 8:1

⑦ OBSOLETE	3.18 [.125]	NO	B	45.72 [1.800]	44.70 [1.760]	65.79 [2.59]	15.49 [.610]	10	33	45	1-5650090-4
	3.56 [.140]	NO	A	26.67 [1.050]	25.65 [1.010]	46.74 [1.84]	15.49 [.610]	10	18	30	1-5650090-2
⑦ OBSOLETE	3.56 [.140]	NO	C	55.88 [2.200]	54.86 [2.160]	110.24 [4.34]	49.78 [1.960]	37	41	80	1-5650090-1
	2.54 [.100]	NO	C	55.88 [2.200]	54.86 [2.160]	110.24 [4.34]	49.78 [1.960]	37	41	80	5650090-9
	2.54 [.100]	NO	B	17.78 [.700]	16.76 [.660]	37.85 [1.49]	15.49 [.610]	10	11	23	5650090-7
	2.54 [.100]	NO	A	26.67 [1.050]	25.65 [1.010]	46.74 [1.84]	15.49 [.610]	10	18	30	5650090-6
	2.54 [.100]	NO	A	39.37 [1.550]	38.35 [1.510]	59.44 [2.34]	15.49 [.610]	10	28	40	5650090-3
	2.54 [.100]	NO	B	45.72 [1.800]	44.70 [1.760]	65.79 [2.59]	15.49 [.610]	10	33	45	5650090-2
	2.54 [.100]	YES	A	59.69 [2.350]	58.67 [2.310]	79.76 [3.14]	15.49 [.610]	10	44	56	5650090-1
W	PIN ONE IDENTIFIER	HOLE PATTERN	V	U	T	S	Y	X	NO OF DUAL POSN	PART NUMBER	



SEE SHEET 2 FOR HOLE PATTERNS

THIS DRAWING IS A CONTROLLED DOCUMENT. DIMENSIONS: mm. TOLERANCES UNLESS OTHERWISE SPECIFIED: 0 PLC ± .01, 1 PLC ± .01, 2 PLC ± 0.25 [.010], 3 PLC ± 0.12 [.005], 4 PLC ± .01, ANGLES ± .5°.

THIS DRAWING IS A CONTROLLED DOCUMENT. DIMENSIONS: mm. TOLERANCES UNLESS OTHERWISE SPECIFIED: 0 PLC ± .01, 1 PLC ± .01, 2 PLC ± 0.25 [.010], 3 PLC ± 0.12 [.005], 4 PLC ± .01, ANGLES ± .5°.

AL FRANTUM 24 JAN 05
AL FRANTUM 24 JAN 05

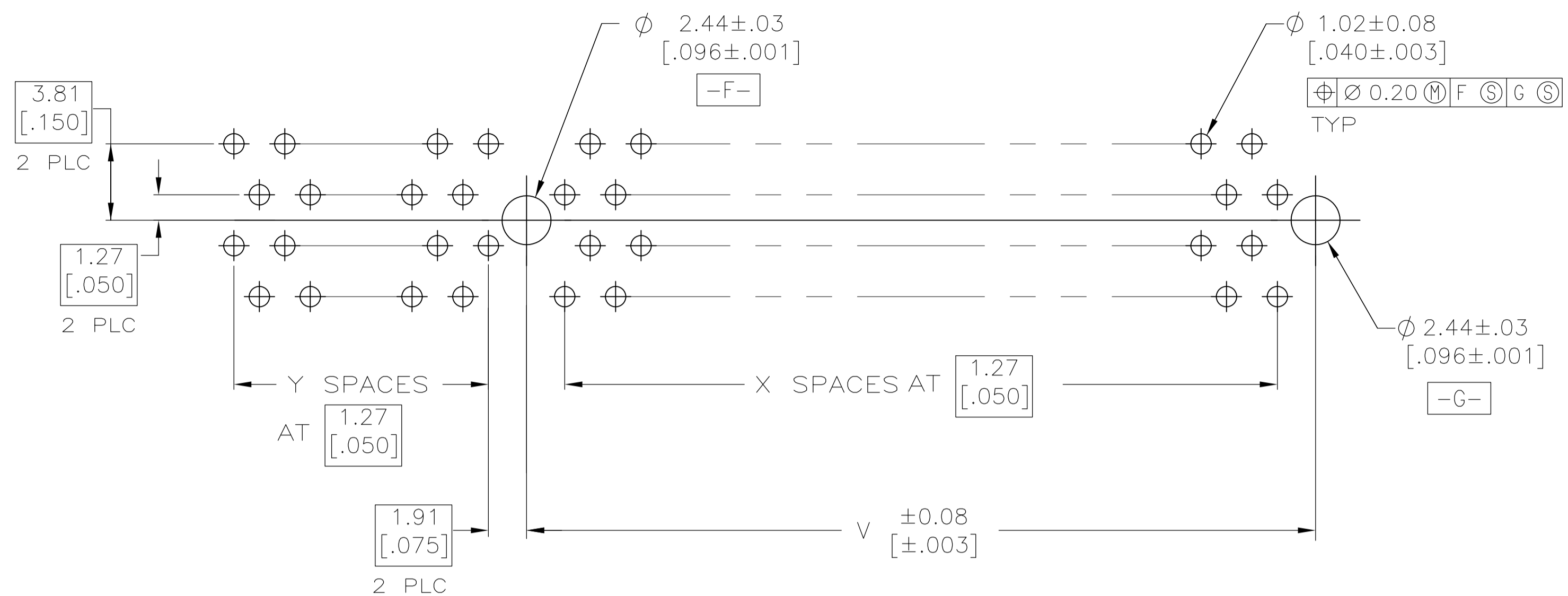
Tyco Electronics Corporation
Harrisburg, Pa 17105-3608

CONNECTOR ASSEMBLY, DUAL POSITION, .050 SERIES

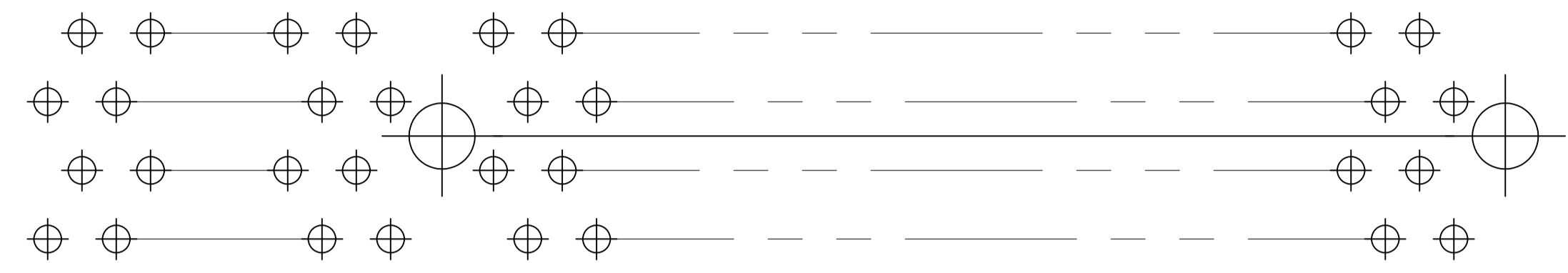
PRODUCT SPEC 108-14034
APPLICATION SPEC 114-26012

SIZE A1 CAGE CODE 00779 DRAWING NO 5650090
RESTRICTED TO

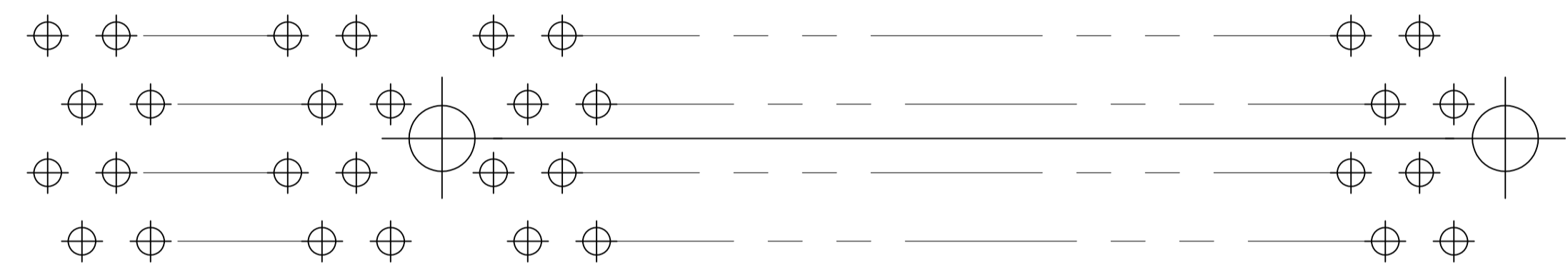
CUSTOMER DRAWING SCALE 5:1 SHEET 1 OF 2 REV 01



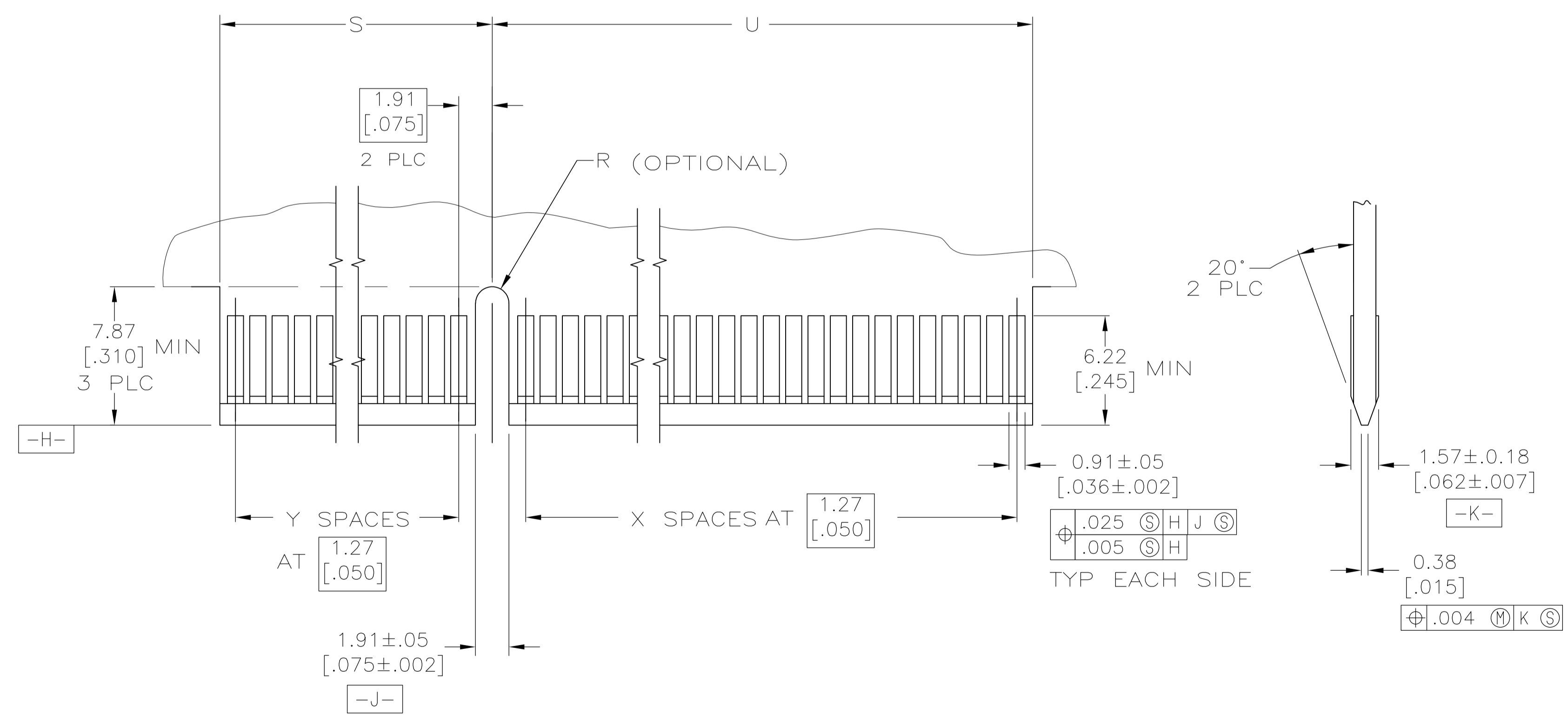
RECOMMENDED CONNECTOR MOUNTING HOLE PATTERN A
(CONNECTOR SIDE SHOWN)



RECOMMENDED CONNECTOR MOUNTING HOLE PATTERN B
(CONNECTOR SIDE SHOWN)



RECOMMENDED CONNECTOR MOUNTING HOLE PATTERN C



RECOMMENDED MATING BOARD EDGE CONFIGURATION
(CONNECTOR SIDE SHOWN)

THIS DRAWING IS A CONTROLLED DOCUMENT.		DIN AL FRANTUM 24 JAN 05		Tyco Electronics Corporation Harrisburg, Pa 17105-3608																																	
DIMENSIONS: mm		TOLERANCES UNLESS OTHERWISE SPECIFIED:		NAME																																	
<table border="1"> <tr><td>0 PLC</td><td>±</td><td>-</td></tr> <tr><td>1 PLC</td><td>±</td><td>-</td></tr> <tr><td>2 PLC</td><td>±</td><td>-</td></tr> <tr><td>3 PLC</td><td>±</td><td>-</td></tr> <tr><td>4 PLC</td><td>±</td><td>-</td></tr> <tr><td>ANGLES</td><td>±</td><td>°</td></tr> </table>		0 PLC	±	-	1 PLC	±	-	2 PLC	±	-	3 PLC	±	-	4 PLC	±	-	ANGLES	±	°	<table border="1"> <tr><td>PRODUCT SPEC</td><td>108-14034</td></tr> <tr><td>APPLICATION SPEC</td><td>114-26012</td></tr> <tr><td>WEIGHT</td><td>-</td></tr> </table>		PRODUCT SPEC	108-14034	APPLICATION SPEC	114-26012	WEIGHT	-	<table border="1"> <tr><td>SIZE</td><td>A1</td></tr> <tr><td>CAGE CODE</td><td>00779</td></tr> <tr><td>DRAWING NO</td><td>5650090</td></tr> <tr><td>RESTRICTED TO</td><td>-</td></tr> </table>		SIZE	A1	CAGE CODE	00779	DRAWING NO	5650090	RESTRICTED TO	-
0 PLC	±	-																																			
1 PLC	±	-																																			
2 PLC	±	-																																			
3 PLC	±	-																																			
4 PLC	±	-																																			
ANGLES	±	°																																			
PRODUCT SPEC	108-14034																																				
APPLICATION SPEC	114-26012																																				
WEIGHT	-																																				
SIZE	A1																																				
CAGE CODE	00779																																				
DRAWING NO	5650090																																				
RESTRICTED TO	-																																				
MATERIAL SEE SHEET 1		FINISH SEE SHEET 1		CUSTOMER DRAWING																																	
		SCALE 5:1		SHEET 2 OF 2																																	